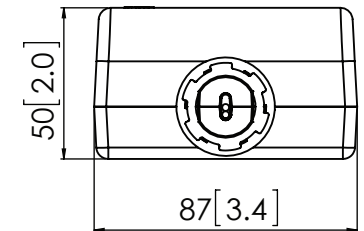
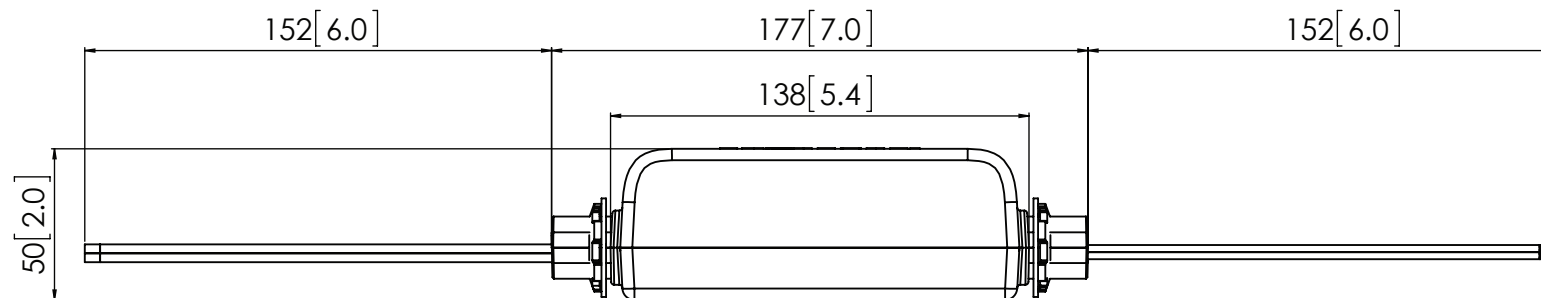
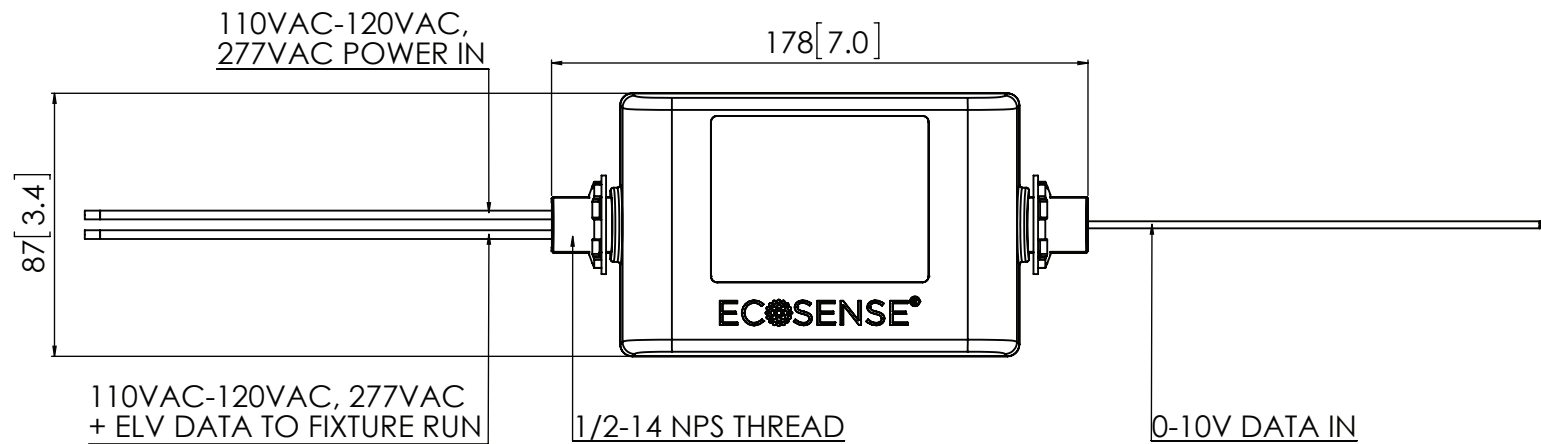
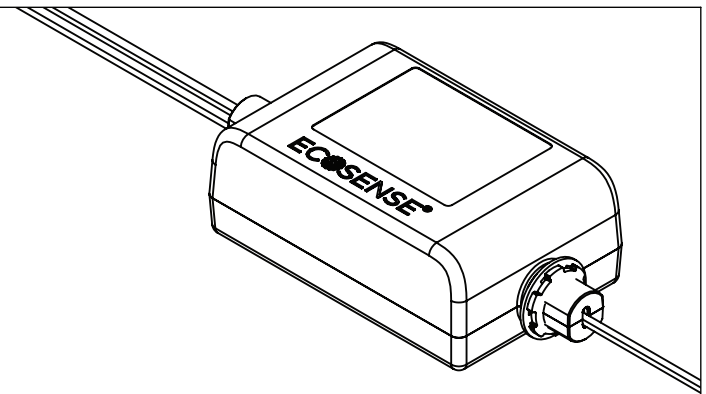


ORDERING INFORMATION		EXAMPLE: LDCM-PL-120-277-010V-GR	
LDCM-PL - - -			
MODEL	VOLTAGE	CONTROL	COLOR
LDCM-PL	120-277 110VAC-120VAC, 277V Auto-Sensing Voltage Switch	010V (0-10V)	GR (Grey)



ITEM NO.	PART NUMBER	DESCRIPTION	QTY
1	LDCM-PL-120-277-010V-GR	LINEAR DIMMING CONTROL MODULE, 120V, 277V, 0-10V, 400W/120V, 1000W/277V, GREY	1PC

**PROPRIETARY AND CONFIDENTIAL**

THE INFORMATION CONTAINED IN THIS DRAWING IS THE SOLE PROPERTY OF ECOSENSE LIGHTING. ANY REPRODUCTION IN PART OR AS A WHOLE WITHOUT THE WRITTEN PERMISSION OF ECOSENSE LIGHTING IS PROHIBITED.



ECOSENSE LIGHTING, INC.  
915 WILSHIRE BOULEVARD  
SUITE 2175  
LOS ANGELES, CA 90017  
TEL: 855.632.6736 FAX: 310.496.6256  
INFO@ECOSENSELIGHTING.COM  
WWW.ECOSENSELIGHTING.COM

UNLESS OTHERWISE SPECIFIED

DIMENSIONS IN  
INCHES / [MM]

.XX ± .01" / .25MM ANGLE ± 1°  
.XXX ± .005" / .15MM FRACTION ± 1/64"  
INTERPRET ACCORDING TO ASME Y14.5



DRAWN

DATE

15-MAY-14

DESCRIPTION

CHECKED

DATE

15-MAY-14

DWG. NO

MATERIAL

POLYCARBONATE

**EcoSpec**  
**Linear Dimming Control Module**

**Linear Dimming Control Module - SPEC**

FINISH

INJECTION-MATT SURFACE

DO NOT UPDATE  
MANUALLY

SCALE  
1:2.5

SIZE  
A

SHEET  
1 OF 1